

NSN3

The Fuji model NSN3 portable neutron survey meter is very lightweight and small without polyethylene moderator. The energy response is improved using the spectrum weighting function.

The NSN3 survey meter measures ambient dose equivalent and ambient dose equivalent rate of neutrons.

FEATURES

- Lightweight and portable (Weighs only 2kg)
- Ideal for a wide range of measurements
- AC power, primary and secondary cells are applicable
- Equipped with USB drive function and can display measurement values on a PC

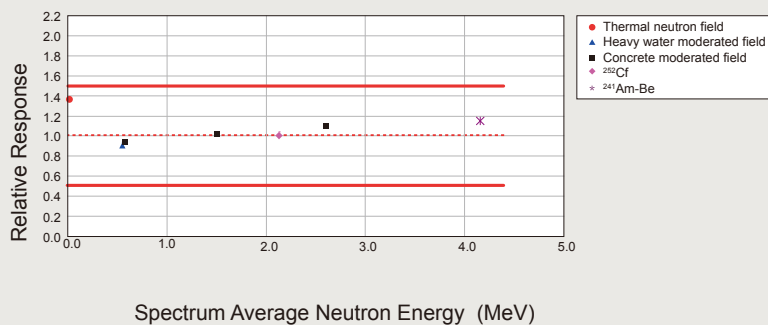
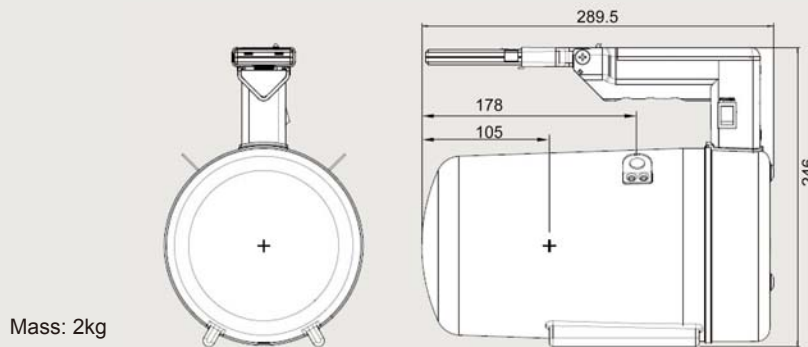
Portable Neutron Survey Meter



SPECIFICATIONS

Radiation detected	: Neutron
Measurement quantity	: 1cm dose equivalent
Detector	: Gas detector
Sensitivity	: $0.3 \text{ s}^{-1} / \mu\text{Sv/h} \pm 20 \%$, ref. ^{252}Cf
Measurement Range	dose rate : $0.1 \mu\text{Sv/h}$ to 99.99 mSv/h
	dose : $0.01 \mu\text{Sv}$ to 99.99 mSv
Accuracy	dose rate : $\leq \pm 15 \%$ at $10 \mu\text{Sv/h}$
	dose : $\leq \pm 25 \%$ at $0.05 \mu\text{Sv}$
Energy range	: 0.025eV to 15 MeV
Energy dependency	: ICRP74 compliance
Angular dependence	: $\leq \pm 25 \%$ ($\pm 90^\circ$ from threshold)
Dose rate characteristic	: $\leq \pm(20 + U)\%$ (U : Uncertainty of reference source)
Gamma ray sensitivity	: No response until 1 mSv/h
Battery life	: Displays continuously 31 hours or more
	: Displays intermittently 17 hours or more (displays 1min, during 5min.)
Response time	: Less than 4sec: over 1mSv/h
Display	: Organic EL triple-digit display (Dose rate, Integrating dose)
Power supply	: 3-way / Primary battery or secondary battery (AA type, 6 cells)
	: AC adaptor(IN: 100 to 240V AC) (option)
Operating temperature	: -10 to $+45 \text{ }^\circ\text{C}$ / $+14$ to $+113 \text{ }^\circ\text{F}$
Operating humidity	: 35 to 90% (non-condensing)
Size	: $\Phi 164$ (without the probe) $\times 289.5 \text{ mm}$ / $\Phi 6.46 \times 11.4 \text{ in.}$
Mass	: 2 kg / 4.4 lb approx. (including batteries)
Interface	: USB
Compliance code	: IEC61005(2003), JIS Z4341(2006)

Outline (unit : mm)



CAUTION

*Read the instruction manual provided before using this product, to make sure you operate it safely.

Fuji Electric Co., Ltd.

Headquarters

Sales Dept. III

Power and Social Infrastructure Sales Div. Global Business Group

Gate City Ohsaki, East Tower, 11-2, Osaki 1-chome, Shinagawa-ku, Tokyo 141-0032, Japan

Phone: +81-3-5435-7276, FAX: +81-3-5435-7436

<http://www.fujielectric.com/products/radiation/>